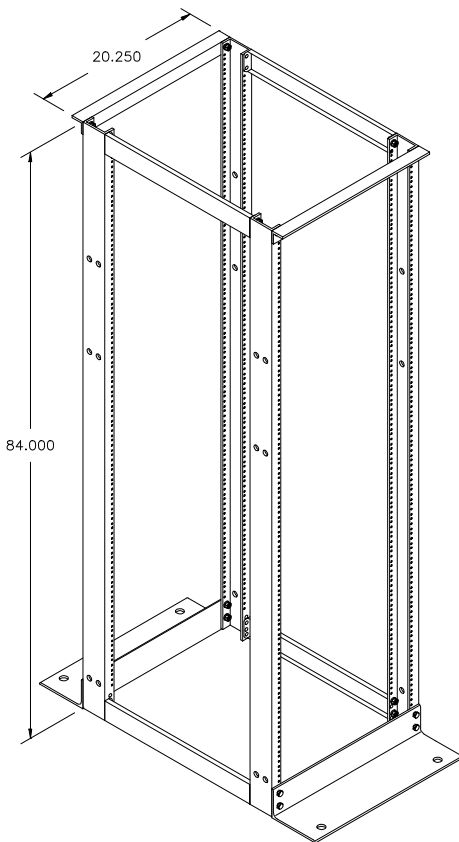


Adjustable Dual Equipment Rack



SWE04-842126BLK Shown

Features

- Heavy-duty aluminum extruded upright channels, bases and top angles
- 19" wide rack mount
- Front and rear upright mounting holes tapped #12-24 on standard EIA spacing
- Variable depth is accomplished by changing fixed depth spreader channels provided in 21", 24" & 26" depths
- Designed with web channel holes to allow multiple racks to be mounted side by side
- Shipped unassembled and individually packaged
- Available in black powder coated finish

Ordering Information

SWE04-842126BLK 84" Tall 19" Dual Equipment Rack
Includes 21", 24" & 26" depth spreaders
(45 rack spaces)

Standard Accessories

Refer to the SWE2126 and SWE2126-V shelf series specification sheets