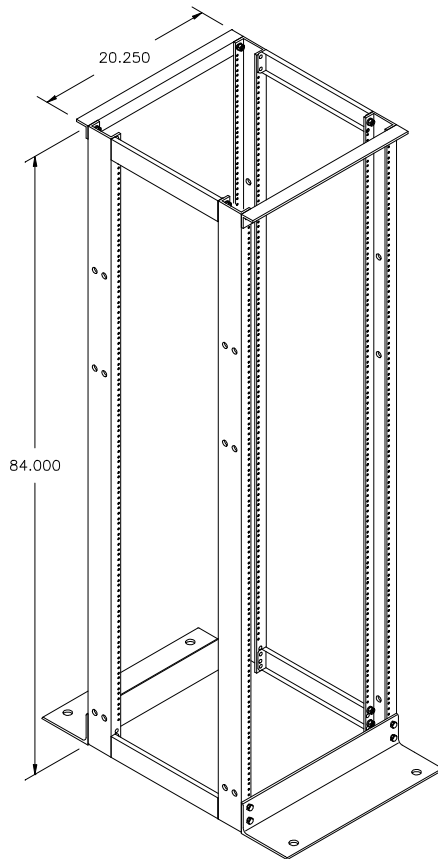




SWE04-841520BLK

## Adjustable Dual Equipment Rack



SWE04-841520BLK Shown

### Features

- Heavy-duty aluminum extruded upright channels, bases and top angles
- 19" wide rack mount
- Front and rear upright mounting holes tapped #12-24 on standard EIA spacing
- Variable depth is accomplished by changing fixed depth spreader channels provided in 15", 18" & 20" depths
- Designed with web channel holes to allow multiple racks to be mounted side by side
- Shipped unassembled and individually packaged
- Available in black powder coated finish

### Ordering Information

SWE04-841520BLK 84" Tall 19" Dual Equipment Rack  
Includes 15", 18" & 20" depth spreaders  
(45 rack spaces)

### Standard Accessories

Refer to the SWE1520 and SWE1520-V shelf series specification sheets